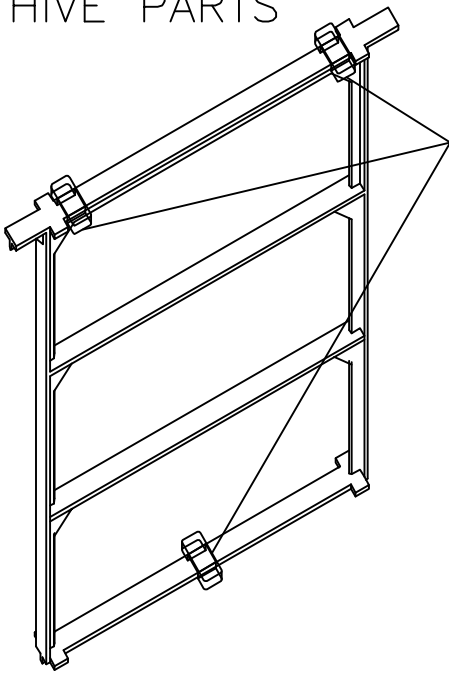


AVAILABLE ZEST HIVE PARTS



BOXES OF 12 B.S. UNIVERSAL PATENTED PLASTIC FRAMES FOR NATURAL HONEYCOMB MAKING

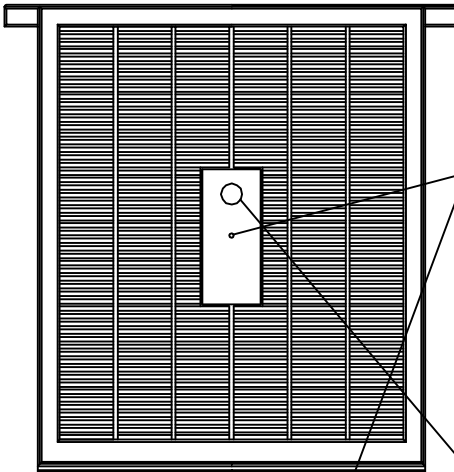
The standard plastic ZEST frames are at 35mm c/c. 3 snap on spacers can be added to the frames after the comb is drawn out to give 45mm. c/c for exclusive honey storage outside the brood area.

These can be deployed in B.S.National hives boxes as follows:-
 2 B.S. Brood boxes.
 3 B.S. Supers or
 1 B.S. Deep brood box with a super
 or
 in a full ZEST hive.
www.thezesthive.com

CUSTOMER ACQUIRE IF FULL ZEST HIVE IS REQUIRED

The customer will also need to source the following.

- A. 1# 600x600 paving slab.
- B. 4# 440x215x100 concrete blocks.
- C. 2# 1200x100x50 wood bearers.
- D. 24# 600x215x100 lightweight insulating blocks.
- E. 1800min. x1000 corrugated roof sheet
- F. 2# roof holding down ropes
- G. 2# d.p.c vermin guards on item B above.
- H. 3 # 374x6 ply or plastic strips to act as feed ramp and air block under partitions.
- I. 1# 1500x500 clear (not white) plastic drawer mat cover sheet from IKEA
- J. 10# Slide binders.
- K. 2# 450x370x25 foil faced insulation

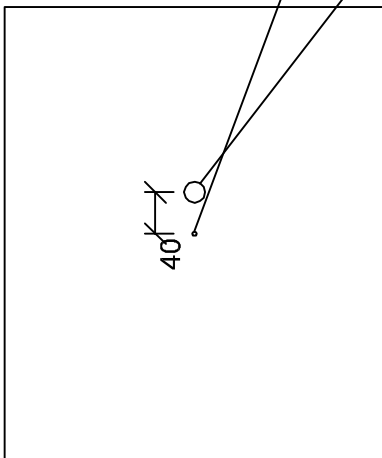


4 QUEEN EXCLUDERS (2 FOR PARTITIONS) FOR ZEST HIVE ONLY

Partition boards with 6mm white plastic Cordek sheets push fitted into face of excluder and bolted through with a 25x6mm bolt and 2 penny washers.

The 20dia. hole in the partition to allow bee entry via a ramp onto pieces of honeycomb in an in-hive container holding feed.

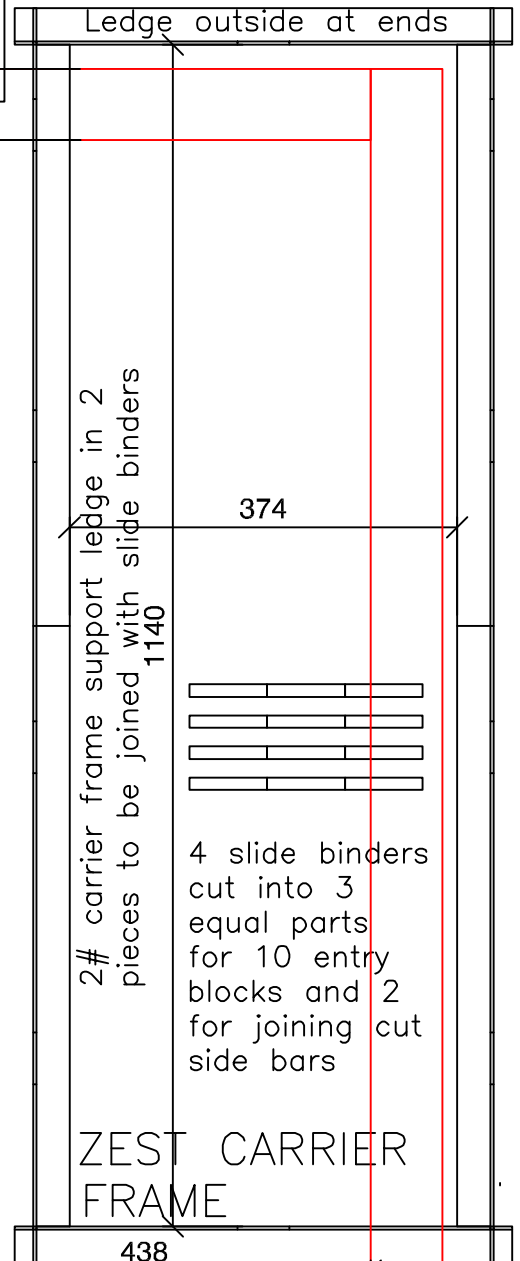
Fill hole with wine cork when not in use



2 BOARDS

To convert 2 Queen excluders into partitions

The ZEST hive customer may wish to dispense with the plastic carrier frame and buy 4 pieces of 69x20mm wood battens and support the frame end lugs on the insulation block walls. 22mm. holes will have to be drilled through the block walls to allow bee entry and ventilation. A virgin cage with a cap to be deployed in each hole to control bee access and ventilation



ALTERNATIVE TO CARRIER FRAME