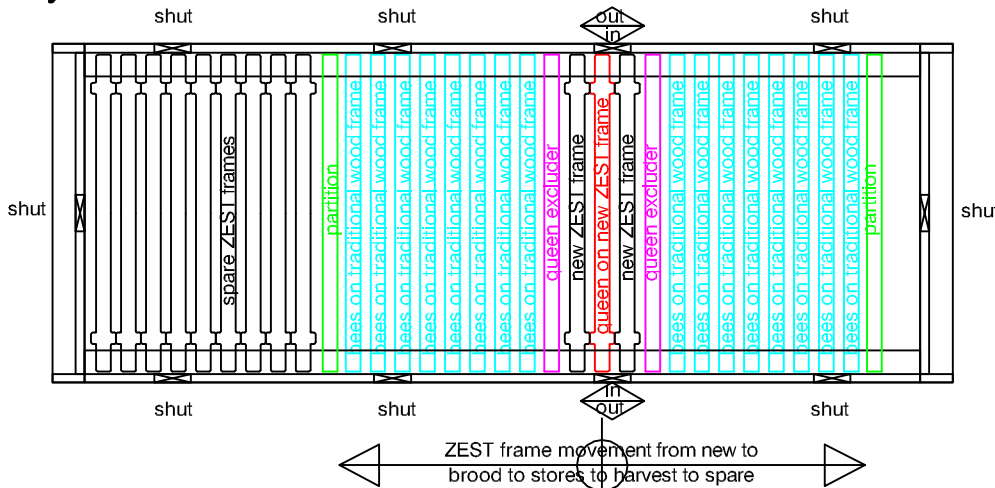


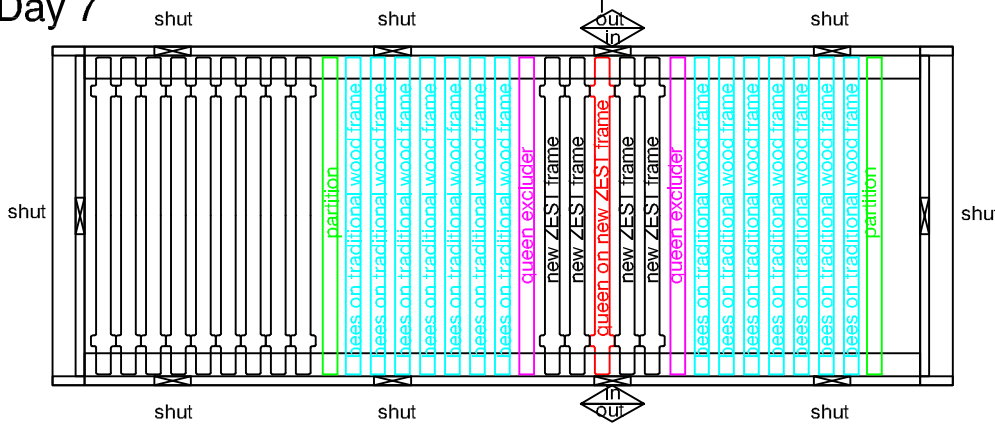
# THE ZEST TRANSITION AND MANAGEMENT DIAGRAMS

## Days 0 commencement

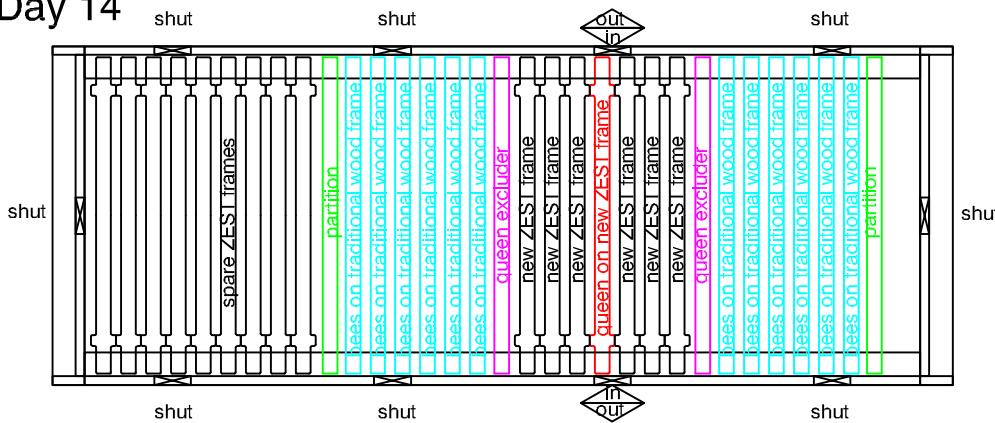


- Queen or queen cells
- Insulation
- Queen excluders
- Partitions
- B.S. Wood frames
- The Rest

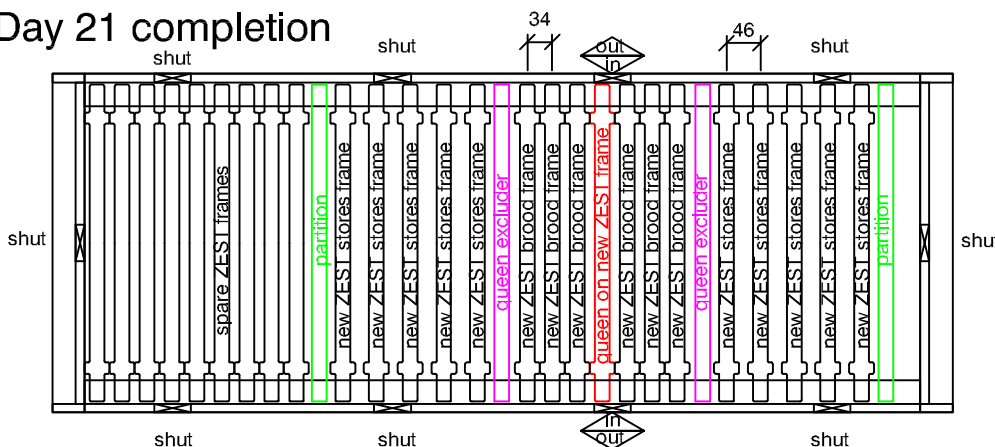
## Day 7



## Day 14



## Day 21 completion



All the usual ways to start a colony in a ZEST hive are available, but the preferred ZEST BEST way is described pictorially and sequentially here. It is without stress. It allows for the transfer of the queen and bees over 3 weeks without discarding any brood. Shake the drones off of the wood frames before they are installed so they are not shut in and trapped inside. The brood hatches over time to join the queen on ZEST frames in the ZEST brood centre which expands upon demand as the brood hatches from the wood frames. The queen cannot lay any more eggs in the wood frames as she is excluded from them. Use of the old wood frames is reduced over 3 weeks and are then discarded. If any stores in wood frames remain they can be put into the frame storage area where they will be robbed by the bees.

Insert new frames into the brood area between 2 frames that are well drawn and will act as guides. Move any frames in the brood area that are mostly honey or are distorted over the queen excluders into the honey areas. If well drawn and not capped deploy the 46mm spacers onto the frames, being the bee preferred spacing for honey storage.